

INSTALLATION INSTRUCTIONS

CUSTOMER SERVICE

Phone: 866-900-8800 • 8:30 am - 5:00 pm Mon - Fri CST

Email: info@undercoverinfo.com



MODEL SPECIFIC GUIDE

HIDDEN HINGE VERSION

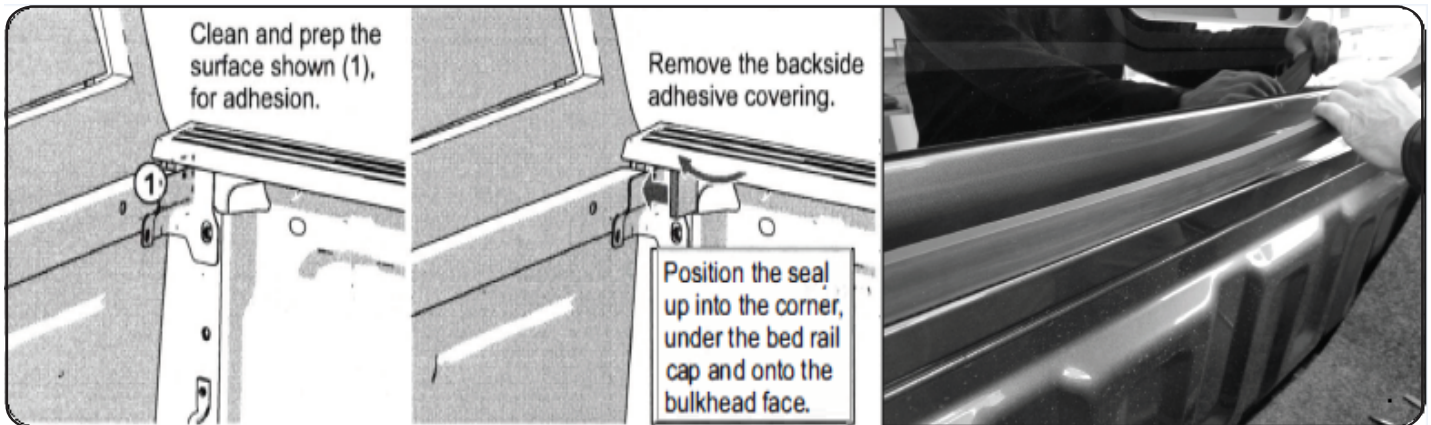
2196

Model 2196 Ford Ranger 6' Bed 2019-Current

NOTE: The bulkhead seals are installed without any drop-in bedliner in place. Install supplied Bulkhead Seals to the front bulkhead first, before installing truck mounting brackets and bed cover.

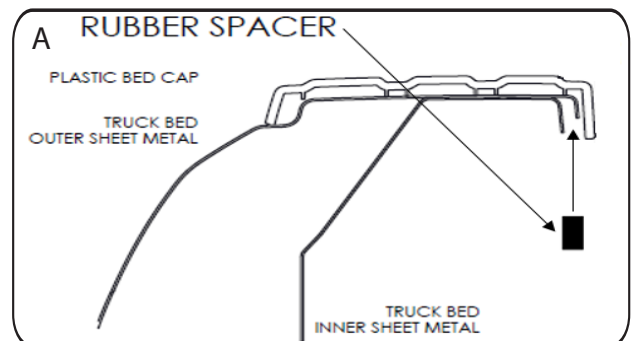
NOTE: If the truck is equipped with drop-in bed liner, trimming may be required to install the bulkhead seals and truck brackets supplied in hardware kit.

Bulkhead Seal Installation:

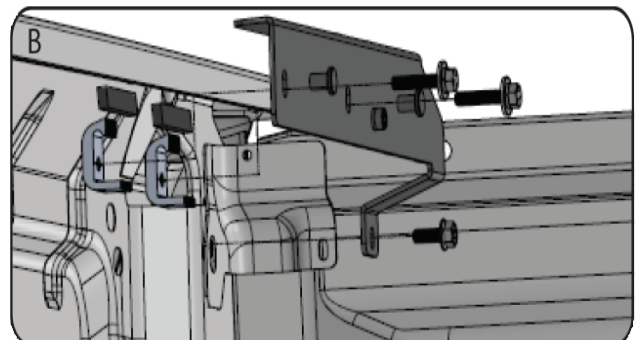


Install the bulkhead weather seal to the truck's front bulkhead. After installing the bulkhead seals proceed to mounting the truck specific brackets.

NOTE: Rubber Filler Strip Installation- The hardware kit for this truck includes 8 rubber spacers. Verify location by holding each front bracket at its desired measurement location. Place a rubber filler strip at each clamp location by sliding the rubber filler strips upward in between the backside of the plastic bed cap and the metal bed rail lip until they bottom out. **See diagram A.** Make sure the clamps are adjusted all the way up against the metal bed rail lip while tightening the clamps for each bracket.

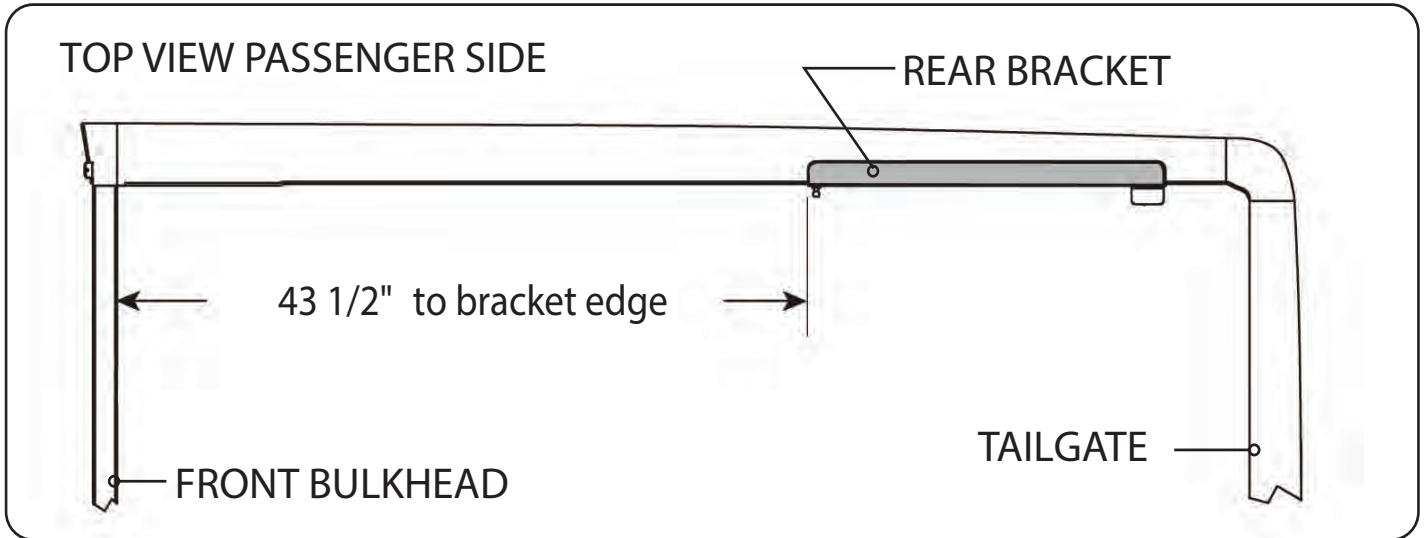


NOTE: After installing the rubber filler strips at the desired clamp location. Install the Driver and Passenger front brackets, using the 2 - M8 Hex bolts (one for each side) and locate the top threaded hole at the front corner of the bed, on the side. If truck has a spray in bed liner, the threads may need to be cleaned out first. If truck is equipped with a plastic drop in bed liner, trimming may be required to install each of the front brackets. Once the brackets are in place along with the M8 hex bolts, tighten the hex bolts, then install the 4 mounting clamps (2 per side). **See diagram B.**



RE: Step 2 on the Quick Start Guide

Measurement for the rear mounting bracket is 43 1/2" from the back side of the bulkhead to the front edge of the bracket.



RE: Step 3 on the Quick Start Guide

Measurement for the front bracket is 17 3/8" from the back side of the bulkhead to the back side of the front bracket. Once cover is installed, cover may need to be adjusted according to the gap at the tailgate. This can be done by loosening the bolts and clamps at the front only and adjusting the front brackets forward/ backward in the slotted holes.

The fit of the cover to the truck bed is determined by the front mounting brackets. This measurement is a good starting point. Unfortunately not all truck beds are assembled 100% square, so some adjustments may be necessary after the cover is set on the truck.

